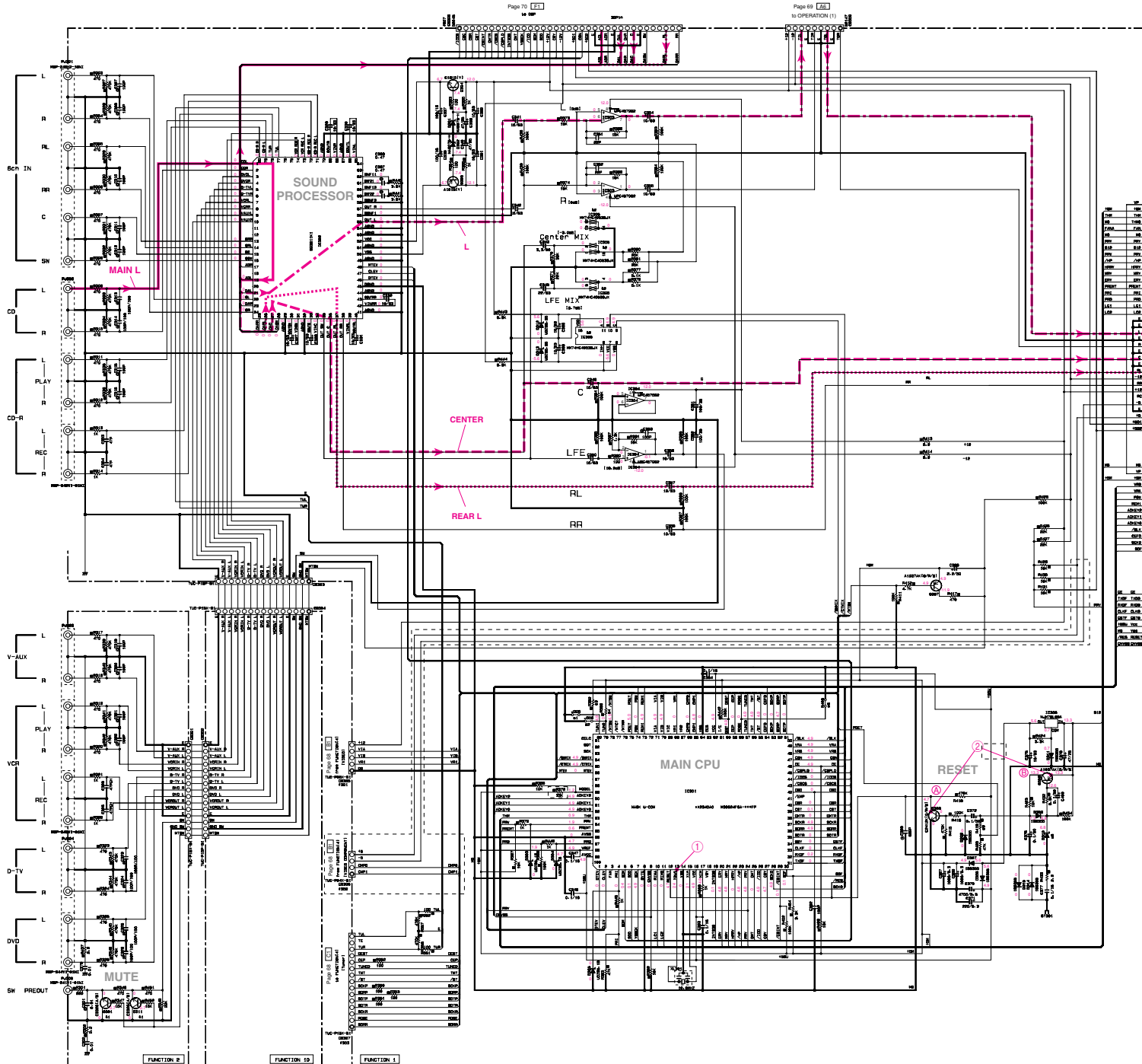


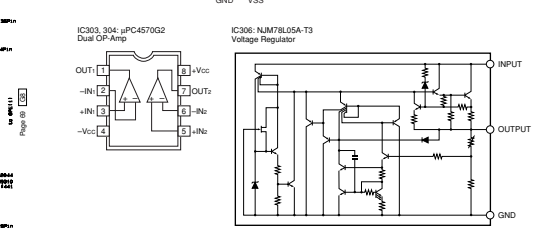
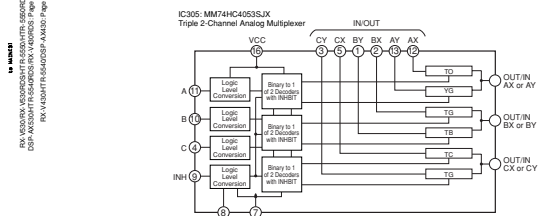
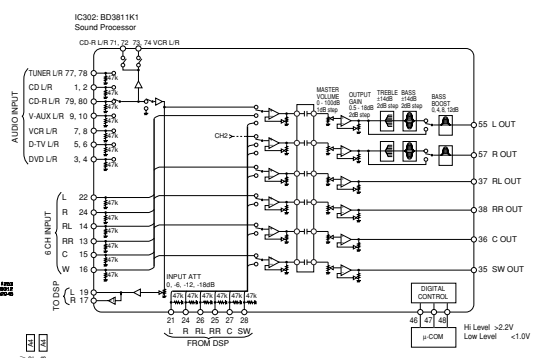
■ SCHEMATIC DIAGRAM (FUNCTION 1/2)

* All voltages are measured with a 10MΩ/V DC electric volt meter.
 * Components having special characteristics are marked with a triangle, and must be replaced with parts having specifications equal to those originally installed.
 * Schematic diagram is subject to change without notice.

● 電圧は、内部抵抗10MΩの電圧計で測定したものです。
 ● 印のある部品は、安全性確保部品を示しています。部品の交換が必要な場合、パーツリストに記載されている部品を使用してください。
 ● 本回路図は標準回路図です。改良のため予告なく変更することがございます。



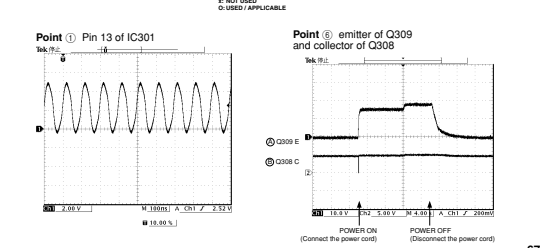
RX-V530/RX-V530RDS/HTR-5550/HTR-5550RDS/DSP-AX530
 RX-V430/RX-V430RDS/HTR-5540/HTR-5540RDS/DSP-AX430



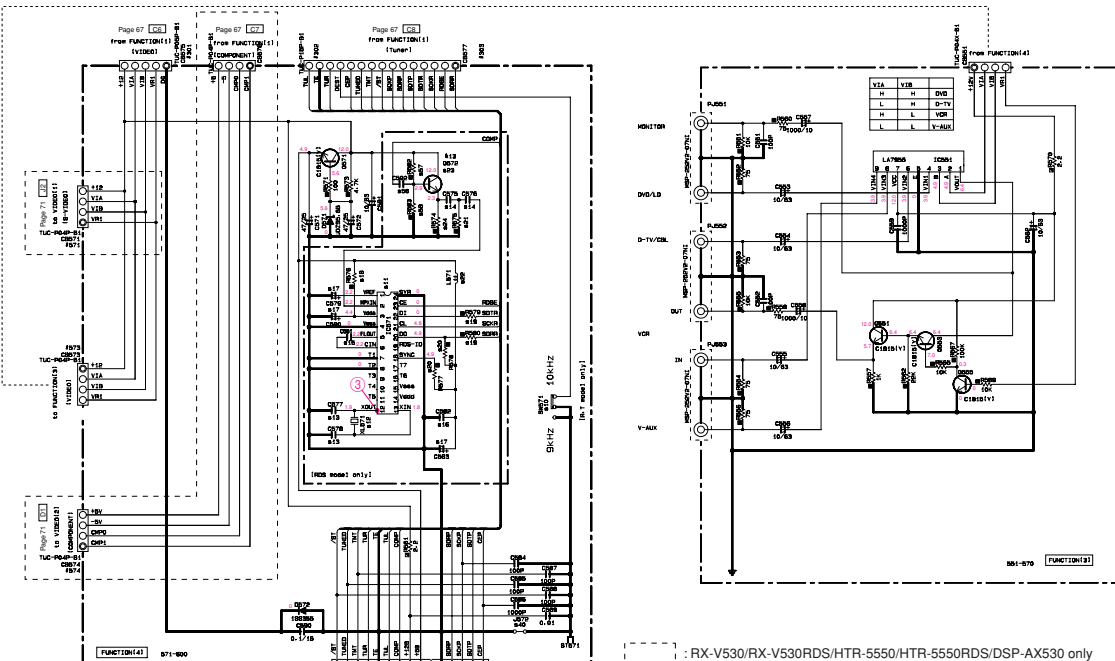
CAPACITOR		RESISTOR	
REMARKS	PARTS NAME	REMARKS	PARTS NAME
NO MARK	ELECTROLYTIC CAPACITOR	NO MARK	CARBON FILM RESISTOR (P-5)
⊖	TANTALUM CAPACITOR	⊖	CARBON FILM RESISTOR (P-10)
NO MARK	CERAMIC CAPACITOR	△	METAL OXIDE FILM RESISTOR
⊖	LYTANALUM CAPACITOR	⊖	METAL FILM RESISTOR
⊖	POLYESTER FILM CAPACITOR	⊖	METAL PLATE RESISTOR
⊖	POLYPROPYLENE FILM CAPACITOR	⊖	FILM WOUND CARBON FILM RESISTOR
⊖	MYICA CAPACITOR	⊖	CURRENT HOLDING RESISTOR
⊖	POLYPROPYLENE FILM CAPACITOR	⊖	DRIFT VARIABLE RESISTOR
⊖	BIPOCONDUCTIVE CERAMIC CAPACITOR	⊖	DRIFT RESISTOR

NOTICE (model)
 (J) JAPAN
 (U) U.S.A.
 (C) CANADIAN
 (R) GENERAL
 (A) AUSTRALIAN
 (B) BRITISH
 (E) EUROPEAN
 (I) ITALIAN
 (L) SINGAPORE

Part No.	Part Name	QTY	Remarks
41	RES	1	10K
42	RES	1	10K
43	RES	1	10K
44	RES	1	10K
45	RES	1	10K
46	RES	1	10K
47	RES	1	10K
48	RES	1	10K
49	RES	1	10K
50	RES	1	10K



■ SCHEMATIC DIAGRAM (FUNCTION 2/2)



REMARKS	PARTS NAME	QTY
NO MARK	ELECTROLYTIC CAPACITOR	1
NO MARK	TANTALUM CAPACITOR	1
NO MARK	CERAMIC CAPACITOR	1
①	CERAMIC TUBULAR CAPACITOR	1
②	POLYESTER FILM CAPACITOR	1
③	POLYETHYLENE FILM CAPACITOR	1
④	MICA CAPACITOR	1
⑤	POLYPROPYLENE FILM CAPACITOR	1
⑥	SEMICONDUCTIVE CERAMIC CAPACITOR	1

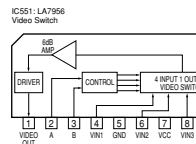
REMARKS	PARTS NAME	QTY
NO MARK	CARBON FILM RESISTOR (P=5)	1
NO MARK	CARBON FILM RESISTOR (P=10)	1
NO MARK	METAL OXIDE FILM RESISTOR	1
NO MARK	METAL FILM RESISTOR	1
NO MARK	METAL PLATE RESISTOR	1
NO MARK	FINE PITCH CARBON FILM RESISTOR	1
NO MARK	CEMENT MOUNTED RESISTOR	1
NO MARK	SEMI-VARIABLE RESISTOR	1
NO MARK	CHIP RESISTOR	1

NOTICE (model)

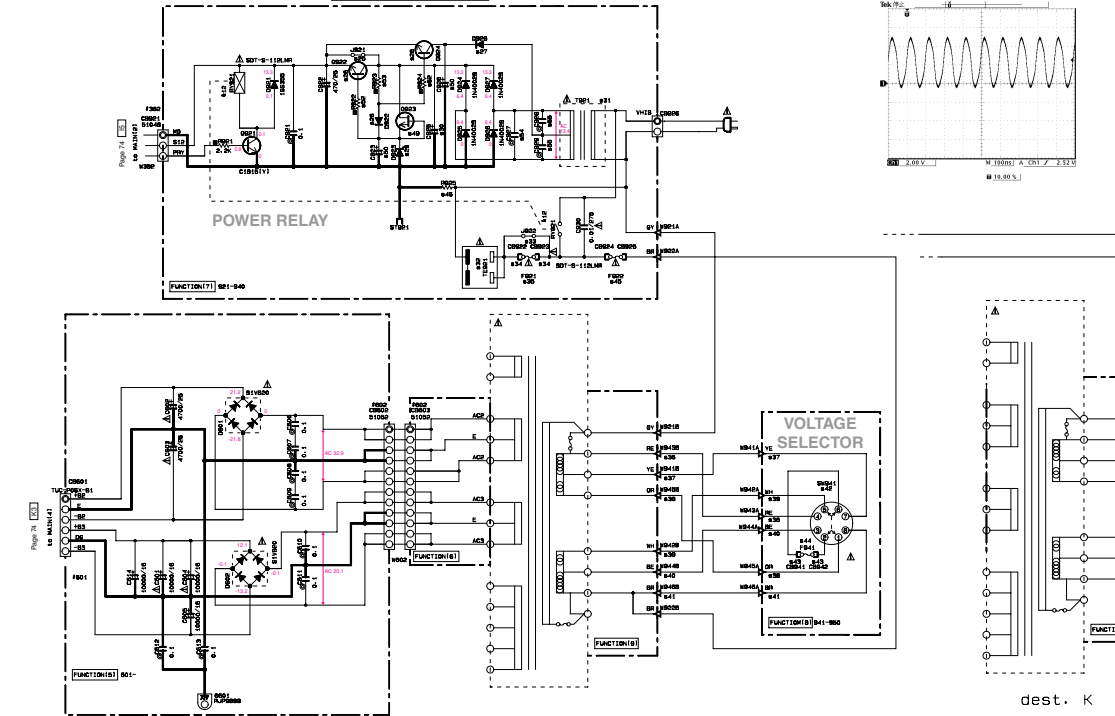
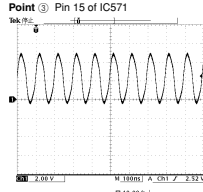
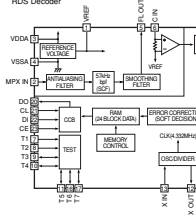
- (J)..... JAPANESE
- (U)..... U.S.A
- (C)..... CANADIAN
- (E)..... EUROPEAN
- (A)..... AUSTRALIAN
- (B)..... BRITISH
- (G)..... EUROPEAN
- (T)..... CHINA
- (L)..... SINGAPORE

Interchangeable Parts at Manufacture Stage

Mark	Reference Number	Parts Name
S12	R1901	80T-S-1134R 80101+10111 AL3321
S13	C870	99C1748(1747) 99C849(849) 99C831(831G/R/S)



IC57: LC7222 RDS Decoder



	J	U.C	R.T	A	B	G	L	K
S10	80071	X	X	VP0004B V80030	X	X	X	X
S11	C871	X	X	X	X	X	X	X
S12	AL871	X	X	X	X	4.3004R V80000	X	X
S13	C877-878	X	X	X	X	270H V478110	X	X
S14	C875-876	X	X	X	X	UM8283	X	X
S15	C881	X	X	X	X	800H UM8286	X	X
S16	C880	X	X	X	X	0.1/16 UM8247	X	X
S17	C876-883-883	X	X	X	X	477R UM8247	X	X
S18	R875	X	X	X	X	100 R80810	X	X
S19	R876-880	X	X	X	X	470 R80847	X	X
S20	R877-878	X	X	X	X	10K R808710	X	X
S21	R875	X	X	X	X	20K R80732	X	X
S22	L871	X	X	X	X	200uH V48000	X	X
S23	C870	X	X	X	X	IC1740P IC1740P	X	X
S24	R874	X	X	X	X	0.3K R80883	X	X
S25	V801	0	0	X	0	0	0	0
S26	0000-804	X	X	0030H(L=K) V81080	X	X	X	X
S27	0008	X	X	14000R V81090	X	X	X	X
S28	0003	X	X	18030 V81000	X	X	X	X
S29	0003	X	X	100130 V117200	X	X	X	X
S30	C820	X	X	10/100 UM8710	X	X	X	X
S31	T821	X	X	X	X	X	X	X
S32	T820	V184310 V184310	V184310	V184310	V184310	V184310	V184310	V184310
S33	V800	0	0	0	0	0	0	0
S34	C800A-802	X	X	X	X	X	X	X
S35	F801	X	X	X	X	X	X	X
S36	V813	X	X	H00814	X	X	X	X
S37	V841	X	X	H0480	X	X	X	X
S38	V845	X	X	H0480	X	X	X	X
S39	V842	X	X	H00818	X	X	X	X
S40	V844	X	X	H00820	X	X	X	X
S41	V846	X	X	H0480	X	X	X	X
S42	V844	X	X	V71830	X	X	X	X
S43	C841-842	X	X	VP2000	X	X	X	X
S44	F841	X	X	T3.15AL200V R80078	X	X	X	X
S45	F800	7A120V VP8000	7A120V VP8000	7A120V VP8000	T3.15AL200V R80078	T3.15AL200V R80078	T3.15AL200V R80078	T3.15AL200V R80078
S46	F800	1/200, 0.05 VP2000	X	X	X	X	X	X
S48	C823	X	X	100111 Z12882	X	X	X	X
S49	C825-826	X	X	10/10 UM8710	X	X	X	X
S50	F800-804	X	X	100 R80810	X	X	X	X
S53	F802	X	X	50K R80738	X	X	X	X
S54	C807	0-01 UM8410	0-01 UM8410	X	0-01 UM8410	0-01 UM8410	0-01 UM8410	0-01 UM8410
S55	C806-809	X	X	0-01 UM8410	X	X	X	X
S56	C800	X	X	X	100K UM8010	100K UM8010	X	X
S57	F800	X	X	X	100K R80810	100K R80810	X	X
S58	F800	X	X	X	10K R80733	10K R80733	X	X
S59	V817	X	X	X	X	X	X	H08007

* NOT USED
 0 USED / APPLICABLE

* All voltages are measured with a 10MΩ/V DC electric volt meter.
 * Components having special characteristics are marked 1, and must be replaced with parts having specifications equal to those originally installed.
 * Schematic diagram is subject to change without notice.
 ● 電圧は、内部抵抗10MΩの電圧計で測定したものです。
 ● 1印のある部品は、安全性確保部品を示しています。部品の交換が必要な場合、パーツリストに記載されている部品を参照してください。
 ● 本回路図は標準回路図です。改良のため予告なく変更することがございます。

■ SCHEMATIC DIAGRAM (OPERATION)

REMARKS	PARTS NAME	
NO MARK	ELECTROLYTIC CAPACITOR	☐
⊗	TANTALUM CAPACITOR	☐
NO MARK	CERAMIC CAPACITOR	
⊙	CERAMIC TUBULAR CAPACITOR	
⊖	POLYESTER FILM CAPACITOR	
⊕	POLYSTYRENE FILM CAPACITOR	
Ⓜ	MICA CAPACITOR	
Ⓟ	POLYPROPYLENE FILM CAPACITOR	
Ⓢ	SEMICONDUCTIVE CERAMIC CAPACITOR	
Ⓣ	POLYPHENYLENE SULFIDE FILM CAPACITOR	

REMARKS	PARTS NAME	
NO MARK	CARBON FILM RESISTOR (P=5)	□
□	CARBON FILM RESISTOR (P=10)	□
△	METAL OXIDE FILM RESISTOR	△
▲	METAL FILM RESISTOR	▲
⊠	METAL PLATE RESISTOR	⊠
⊞	FIRE PROOF CARBON FILM RESISTOR	⊞
⊞	CEMENT MOLDED RESISTOR	⊞
⊞	SEMI VARIABLE RESISTOR	⊞
■	CHIP RESISTOR	■

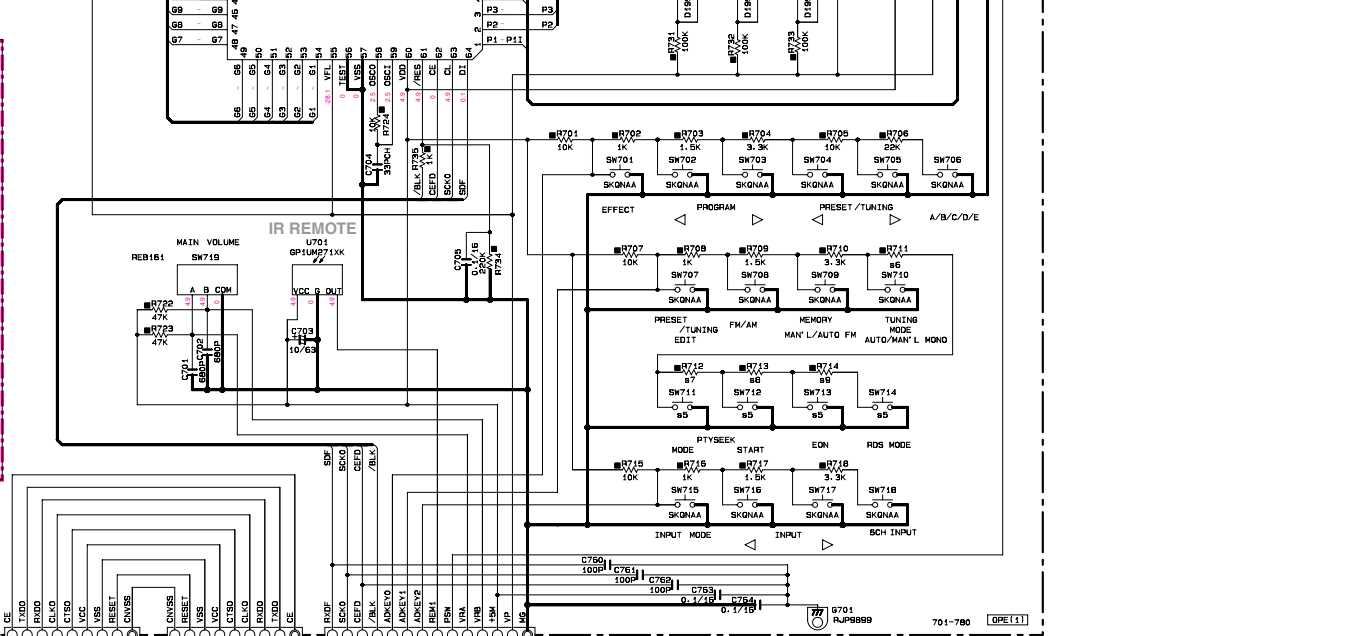
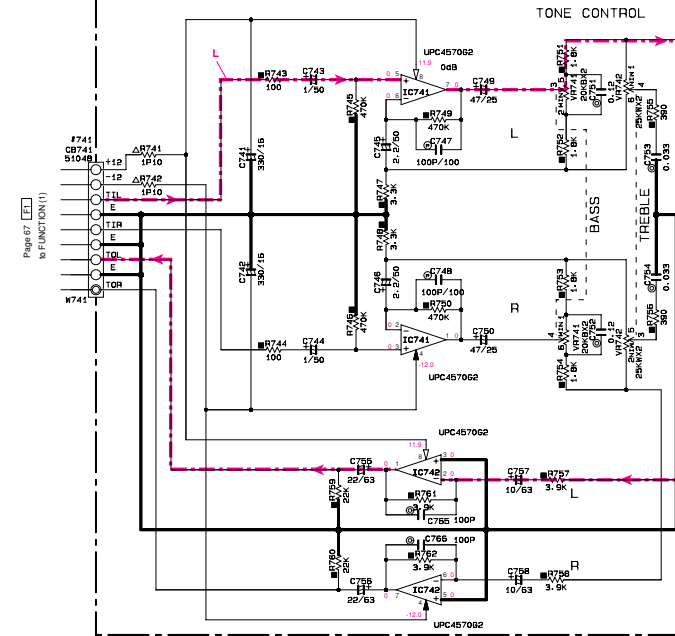
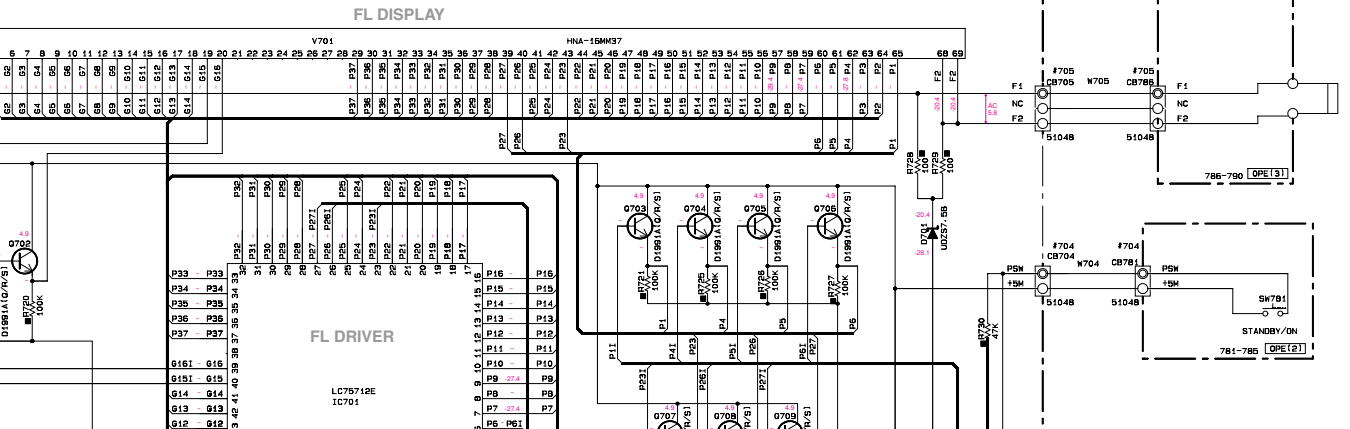
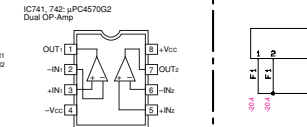
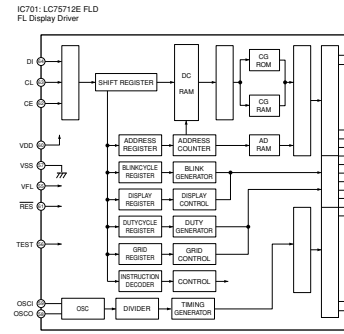
NOTICE (model)

- (J)..... JAPANESE
- (U)..... U. S. A.
- (C)..... CANADIAN
- (R)..... GENERAL
- (A)..... AUSTRALIAN
- (B)..... BRITISH
- (G)..... EUROPEAN
- (T)..... CHINA
- (L)..... SINGAPORE

	J-U-C-R-T K-A-L	B-G
#5	SW711-714	×
#6	R711	×
#7	R712	×
#8	R713	×
#9	R714	×

- * All voltages are measured with a 10M Ω /V DC electric volt meter.
- * Components having special characteristics are marked ①, and must be replaced with parts having specifications equal to those originally installed.
- * Schematic diagram is subject to change without notice.

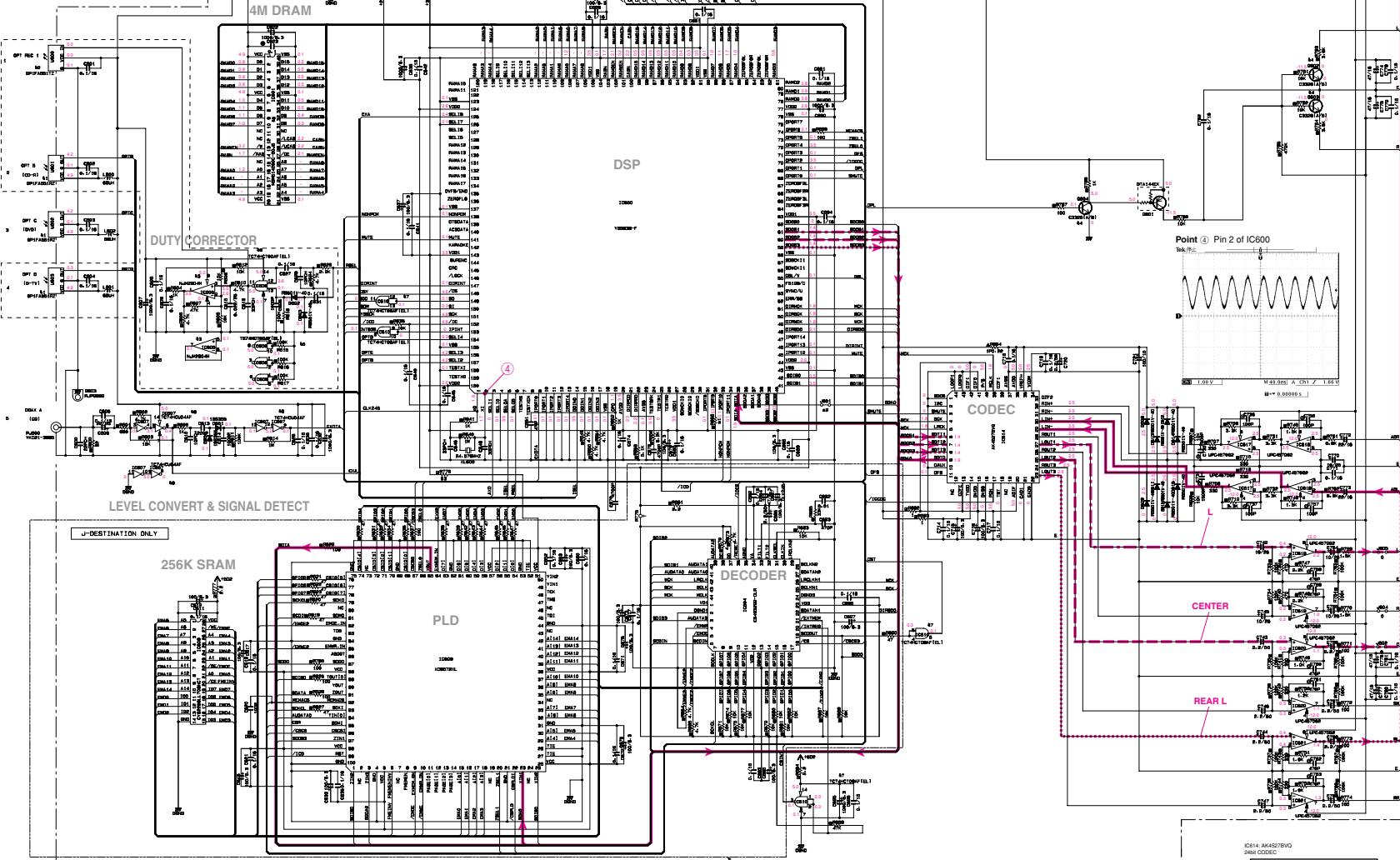
- 電圧は、内部抵抗10M Ω の電圧計で測定したものです。
- ①印のある部品は、安全性確保部品を示しています。部品の交換が必要な場合、パーツリストに記載されている部品を使用してください。
- 本回路図は標準回路図です。改良のため予告なく変更することがございます。



SCHEMATIC DIAGRAM (DSP)

REMARKS	PARTS NAME
NO MARK	CARBON FILM RESISTOR (P-6)
□	CARBON FILM RESISTOR (P-10)
△	METAL OXIDE FILM RESISTOR
◇	METAL FILM RESISTOR
○	METAL PLATE RESISTOR
◇	THICK PROOF CARBON FILM RESISTOR
○	CONDUCTIVE NON-IND. RESISTOR
○	SEMI-VARIABLE RESISTOR
○	CHIP RESISTOR

REMARKS	PARTS NAME
NO MARK	ELECTROLYTIC CAPACITOR
□	FANTAIL CAPACITOR
○	CERAMIC CAPACITOR
○	CERAMIC TUBULAR CAPACITOR
○	POLYMER FILM CAPACITOR
○	NON-POLYMER FILM CAPACITOR
○	MICA CAPACITOR
○	POLYPROPYLENE FILM CAPACITOR
○	PERFORMANCE CERAMIC CAPACITOR
○	POLYETHYLENE SULFIDE FILM CAPACITOR

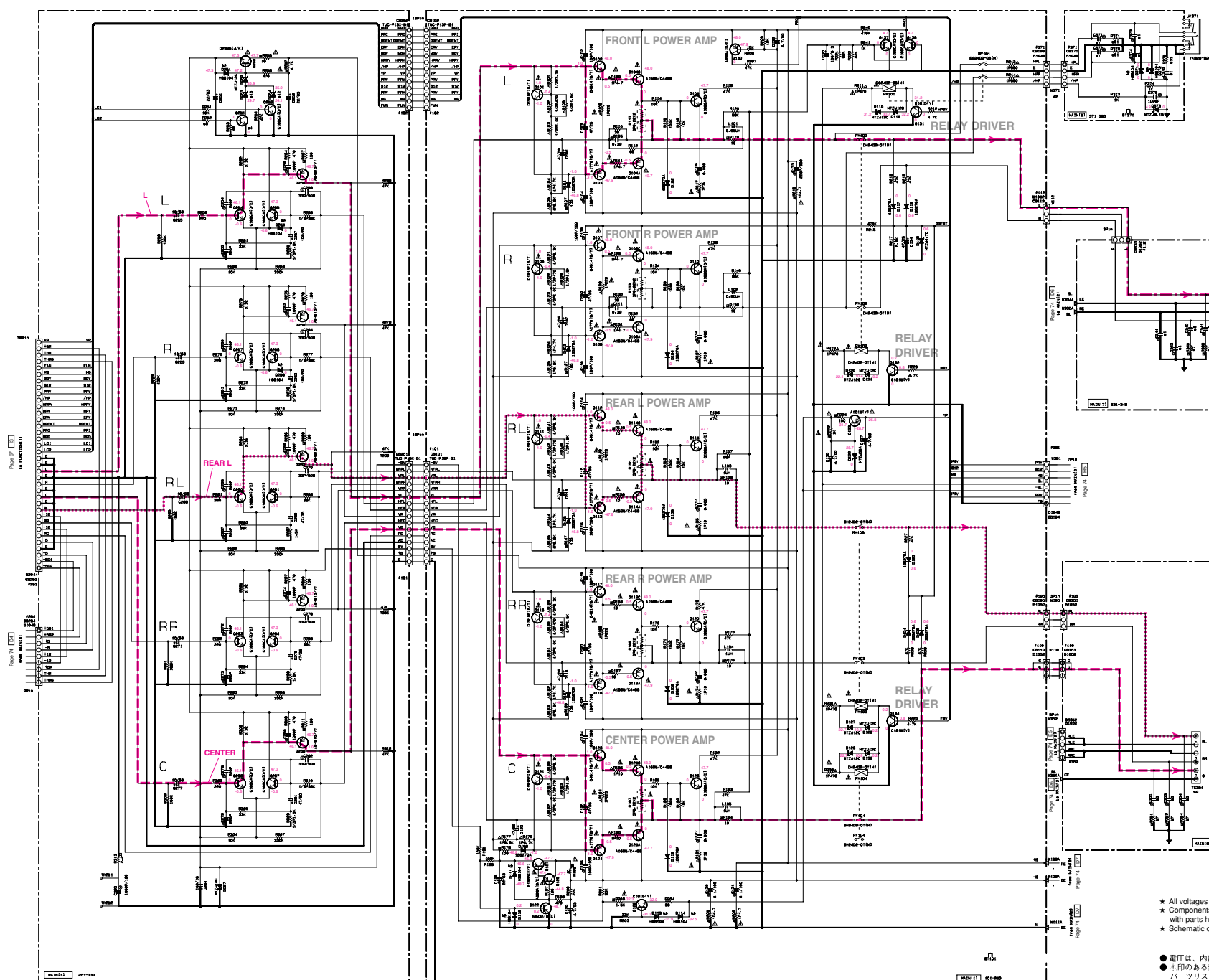


NOTICE (model)
 J model only
 (DSP-AX530/DSP-AX430)

Interchangeable Parts at Manufacturing Stage

Part No.	Part Name	Manufacturer	Part No.	Part Name	Manufacturer
IC600	IC600	ROHM	IC600	IC600	ROHM
IC601	IC601	ROHM	IC601	IC601	ROHM
IC602	IC602	ROHM	IC602	IC602	ROHM
IC603	IC603	ROHM	IC603	IC603	ROHM
IC604	IC604	ROHM	IC604	IC604	ROHM
IC605	IC605	ROHM	IC605	IC605	ROHM
IC606	IC606	ROHM	IC606	IC606	ROHM
IC607	IC607	ROHM	IC607	IC607	ROHM
IC608	IC608	ROHM	IC608	IC608	ROHM
IC609	IC609	ROHM	IC609	IC609	ROHM
IC610	IC610	ROHM	IC610	IC610	ROHM
IC611	IC611	ROHM	IC611	IC611	ROHM
IC612	IC612	ROHM	IC612	IC612	ROHM
IC613	IC613	ROHM	IC613	IC613	ROHM
IC614	IC614	ROHM	IC614	IC614	ROHM
IC615	IC615	ROHM	IC615	IC615	ROHM
IC616	IC616	ROHM	IC616	IC616	ROHM
IC617	IC617	ROHM	IC617	IC617	ROHM
IC618	IC618	ROHM	IC618	IC618	ROHM
IC619	IC619	ROHM	IC619	IC619	ROHM
IC620	IC620	ROHM	IC620	IC620	ROHM
IC621	IC621	ROHM	IC621	IC621	ROHM
IC622	IC622	ROHM	IC622	IC622	ROHM
IC623	IC623	ROHM	IC623	IC623	ROHM
IC624	IC624	ROHM	IC624	IC624	ROHM
IC625	IC625	ROHM	IC625	IC625	ROHM
IC626	IC626	ROHM	IC626	IC626	ROHM
IC627	IC627	ROHM	IC627	IC627	ROHM
IC628	IC628	ROHM	IC628	IC628	ROHM
IC629	IC629	ROHM	IC629	IC629	ROHM
IC630	IC630	ROHM	IC630	IC630	ROHM
IC631	IC631	ROHM	IC631	IC631	ROHM
IC632	IC632	ROHM	IC632	IC632	ROHM
IC633	IC633	ROHM	IC633	IC633	ROHM
IC634	IC634	ROHM	IC634	IC634	ROHM
IC635	IC635	ROHM	IC635	IC635	ROHM
IC636	IC636	ROHM	IC636	IC636	ROHM
IC637	IC637	ROHM	IC637	IC637	ROHM
IC638	IC638	ROHM	IC638	IC638	ROHM
IC639	IC639	ROHM	IC639	IC639	ROHM
IC640	IC640	ROHM	IC640	IC640	ROHM
IC641	IC641	ROHM	IC641	IC641	ROHM
IC642	IC642	ROHM	IC642	IC642	ROHM
IC643	IC643	ROHM	IC643	IC643	ROHM
IC644	IC644	ROHM	IC644	IC644	ROHM
IC645	IC645	ROHM	IC645	IC645	ROHM
IC646	IC646	ROHM	IC646	IC646	ROHM
IC647	IC647	ROHM	IC647	IC647	ROHM
IC648	IC648	ROHM	IC648	IC648	ROHM
IC649	IC649	ROHM	IC649	IC649	ROHM
IC650	IC650	ROHM	IC650	IC650	ROHM
IC651	IC651	ROHM	IC651	IC651	ROHM
IC652	IC652	ROHM	IC652	IC652	ROHM
IC653	IC653	ROHM	IC653	IC653	ROHM
IC654	IC654	ROHM	IC654	IC654	ROHM
IC655	IC655	ROHM	IC655	IC655	ROHM
IC656	IC656	ROHM	IC656	IC656	ROHM
IC657	IC657	ROHM	IC657	IC657	ROHM
IC658	IC658	ROHM	IC658	IC658	ROHM
IC659	IC659	ROHM	IC659	IC659	ROHM
IC660	IC660	ROHM	IC660	IC660	ROHM
IC661	IC661	ROHM	IC661	IC661	ROHM
IC662	IC662	ROHM	IC662	IC662	ROHM
IC663	IC663	ROHM	IC663	IC663	ROHM
IC664	IC664	ROHM	IC664	IC664	ROHM
IC665	IC665	ROHM	IC665	IC665	ROHM
IC666	IC666	ROHM	IC666	IC666	ROHM
IC667	IC667	ROHM	IC667	IC667	ROHM
IC668	IC668	ROHM	IC668	IC668	ROHM
IC669	IC669	ROHM	IC669	IC669	ROHM
IC670	IC670	ROHM	IC670	IC670	ROHM
IC671	IC671	ROHM	IC671	IC671	ROHM
IC672	IC672	ROHM	IC672	IC672	ROHM
IC673	IC673	ROHM	IC673	IC673	ROHM
IC674	IC674	ROHM	IC674	IC674	ROHM
IC675	IC675	ROHM	IC675	IC675	ROHM
IC676	IC676	ROHM	IC676	IC676	ROHM
IC677	IC677	ROHM	IC677	IC677	ROHM
IC678	IC678	ROHM	IC678	IC678	ROHM
IC679	IC679	ROHM	IC679	IC679	ROHM
IC680	IC680	ROHM	IC680	IC680	ROHM
IC681	IC681	ROHM	IC681	IC681	ROHM
IC682	IC682	ROHM	IC682	IC682	ROHM
IC683	IC683	ROHM	IC683	IC683	ROHM
IC684	IC684	ROHM	IC684	IC684	ROHM
IC685	IC685	ROHM	IC685	IC685	ROHM
IC686	IC686	ROHM	IC686	IC686	ROHM
IC687	IC687	ROHM	IC687	IC687	ROHM
IC688	IC688	ROHM	IC688	IC688	ROHM
IC689	IC689	ROHM	IC689	IC689	ROHM
IC690	IC690	ROHM	IC690	IC690	ROHM
IC691	IC691	ROHM	IC691	IC691	ROHM
IC692	IC692	ROHM	IC692	IC692	ROHM
IC693	IC693	ROHM	IC693	IC693	ROHM
IC694	IC694	ROHM	IC694	IC694	ROHM
IC695	IC695	ROHM	IC695	IC695	ROHM
IC696	IC696	ROHM	IC696	IC696	ROHM
IC697	IC697	ROHM	IC697	IC697	ROHM
IC698	IC698	ROHM	IC698	IC698	ROHM
IC699	IC699	ROHM	IC699	IC699	ROHM
IC700	IC700	ROHM	IC700	IC700	ROHM
IC701	IC701	ROHM	IC701	IC701	ROHM
IC702	IC702	ROHM	IC702	IC702	ROHM
IC703	IC703	ROHM	IC703	IC703	ROHM
IC704	IC704	ROHM	IC704	IC704	ROHM
IC705	IC705	ROHM	IC705	IC705	ROHM
IC706	IC706	ROHM	IC706	IC706	ROHM
IC707	IC707	ROHM	IC707	IC707	ROHM
IC708	IC708	ROHM	IC708	IC708	ROHM
IC709	IC709	ROHM	IC709	IC709	ROHM
IC710	IC710	ROHM	IC710	IC710	ROHM
IC711	IC711	ROHM	IC711	IC711	ROHM
IC712	IC712	ROHM	IC712	IC712	ROHM
IC713	IC713	ROHM	IC713	IC713	ROHM
IC714	IC714	ROHM	IC714	IC714	ROHM
IC715	IC715	ROHM	IC715	IC715	ROHM
IC716	IC716	ROHM	IC716	IC716	ROHM
IC717	IC717	ROHM	IC717	IC717	ROHM
IC718	IC718	ROHM	IC718	IC718	ROHM
IC719	IC719	ROHM	IC719	IC719	ROHM
IC720	IC720	ROHM	IC720	IC720	ROHM
IC721	IC721	ROHM	IC721	IC721	ROHM
IC722	IC722	ROHM	IC722	IC722	ROHM
IC723	IC723	ROHM	IC723	IC723	ROHM
IC724	IC724	ROHM	IC724	IC724	ROHM
IC725	IC725	ROHM	IC725	IC725	ROHM
IC726	IC726	ROHM	IC726	IC726	ROHM
IC727	IC727	ROHM	IC727	IC727	ROHM
IC728	IC728	ROHM	IC728	IC728	ROHM
IC729	IC729	ROHM	IC729	IC729	ROHM
IC730	IC730	ROHM	IC730	IC730	ROHM
IC731	IC731	ROHM	IC731	IC731	ROHM
IC732	IC732	ROHM	IC732	IC732	ROHM
IC733	IC733	ROHM	IC733	IC733	ROHM
IC734	IC734	ROHM	IC734	IC734	ROHM
IC735	IC735	ROHM	IC735	IC735	ROHM
IC736	IC736	ROHM	IC736	IC736	ROHM
IC737	IC737	ROHM	IC737	IC737	ROHM
IC738	IC738	ROHM	IC738	IC738	ROHM
IC739	IC739	ROHM	IC739	IC739	ROHM
IC740	IC740	ROHM	IC740	IC740	ROHM
IC741	IC741	ROHM	IC741	IC741	ROHM
IC742	IC742	ROHM	IC742	IC742	ROHM
IC743	IC743	ROHM	IC743	IC743	ROHM
IC744	IC744	ROHM	IC744	IC744	ROHM
IC745	IC745	ROHM	IC745	IC745	ROHM
IC746	IC746	ROHM	IC		

■ SCHEMATIC DIAGRAM (MAIN 1/2) RX-V530/RX-V530RDS/HTR-5550/HTR-5550RDS/DSP-AX530/RX-V430RDS/HTR-5540RDS only



NOTICE (model)
 (J)..... JAPANESE
 (U)..... U.S.A.
 (C)..... CANADIAN
 (R)..... GENERAL
 (A)..... AUSTRALIAN
 (B)..... BRITISH
 (E)..... EUROPEAN
 (T)..... CHINA
 (L)..... SINGAPORE

CAPACITOR

REMARKS	PARTS NAME	UNIT
NO MARK	ELECTROLYTIC CAPACITOR	μF
◎	TANTALUM CAPACITOR	μF
○	CEMICAP CERAMIC CAPACITOR	μF
○	NON-VARIABLE FILM CAPACITOR	μF
○	POLYESTER FILM CAPACITOR	μF
○	MICA CAPACITOR	μF
○	FOR VIBROLINE FILM CAPACITOR	μF
○	BI-DIRECTIONAL CERAMIC CAPACITOR	μF
○	POLYPROPYLENE ELECTROLYTIC FILM CAPACITOR	μF

RESISTOR

REMARKS	PARTS NAME	RESISTANCE	UNIT
NO MARK	CARBON FILM RESISTOR (1/4W)	Ω, kΩ, MΩ	Ω, kΩ, MΩ
○	CARBON FILM RESISTOR (1/10W)	Ω, kΩ, MΩ	Ω, kΩ, MΩ
△	METAL FILM RESISTOR	Ω, kΩ, MΩ	Ω, kΩ, MΩ
□	METAL PLATE RESISTOR	Ω, kΩ, MΩ	Ω, kΩ, MΩ
○	FILM THICK COATED FILM RESISTOR	Ω, kΩ, MΩ	Ω, kΩ, MΩ
○	CEMENT MOUNTED RESISTOR	Ω, kΩ, MΩ	Ω, kΩ, MΩ
■	CHIP RESISTOR	Ω, kΩ, MΩ	Ω, kΩ, MΩ

Interchangeable Parts at Manufacture Stage

Part No.	Reference Part No.	Part No.	Part Name
M 0111-114-001-000-000	00000	00000	
011-010	00000	00000	

Model	J	U.C	R.T.K.A	B.G.L
1	C245-344 271-374-376	X	X	0.01 [JAE5410] 0.01 [JAE5410]
2	C241-342 351-353-354	X	X	0.002 [JAE5420] 0.002 [JAE5420]
3	C201	X		0.000001 [F98310] 0.000001 [F98310]
4	C203	X		47k [F45710] 47k [F45710]
5	C205	X		10k [F45710] 10k [F45710]
6	C202	X		10k [F45710] 10k [F45710]
7	R233-340 351-353-354	X	X	2.2 [FV7320] 2.2 [FV7320]
8	TE31			1700410-1000 [W67110] 1700410-1000 [W67110]
9	TE31			170410-3011 [W42200] 170410-3011 [W42200]
10	D204			MT2J-02 [V64430] MT2J-02 [V64430]
11	D203	X		MT2J-08 [V64300] MT2J-08 [V64300]
12	D205	X		MT2J-02 [V64430] MT2J-02 [V64430]
13	R201-372	X	X	4.7 [F45347] 4.7 [F45347]
14	R210	X	X	2.2 [F45320] 2.2 [F45320]

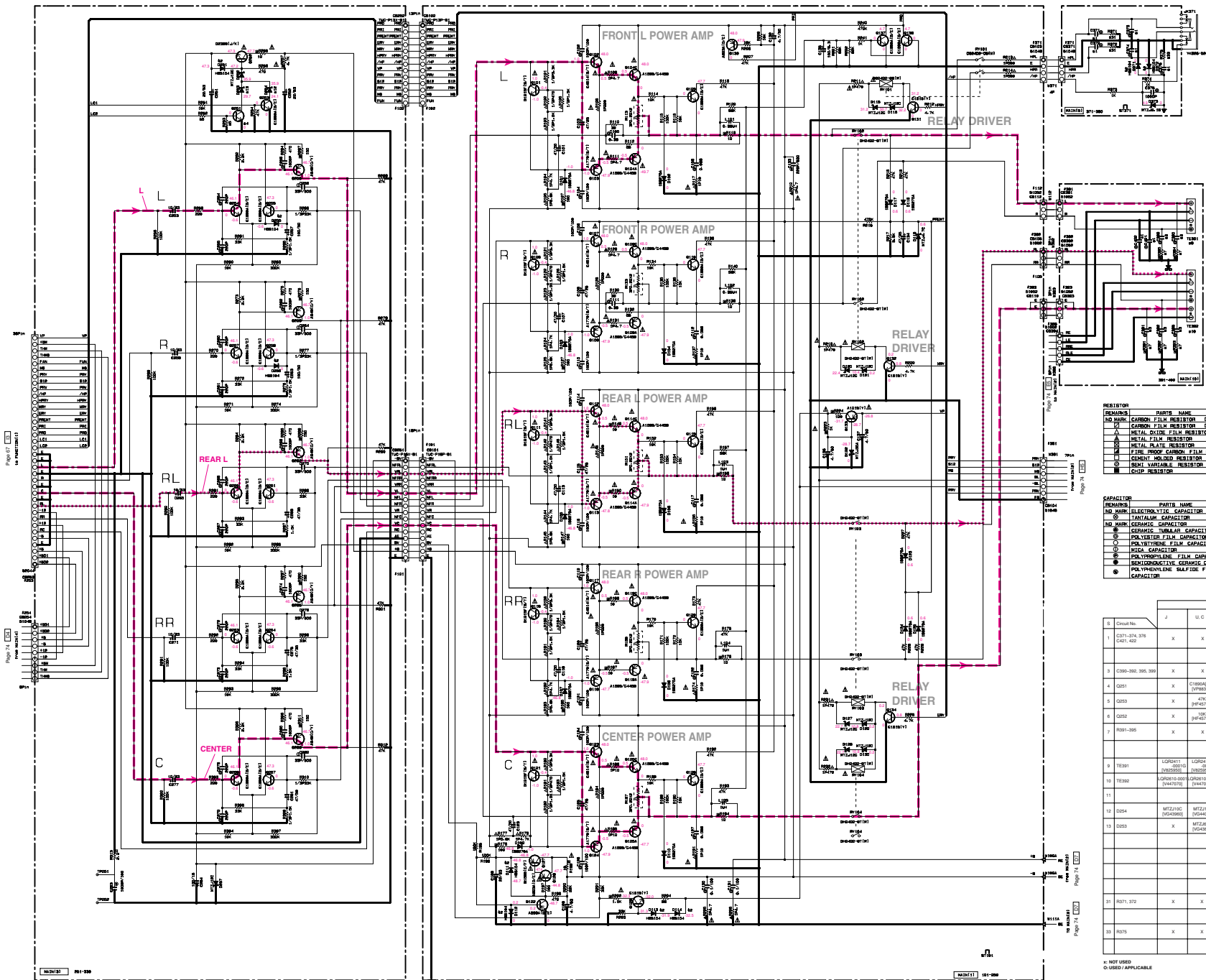
○ NOT USED
 □ CLOSED / APPLICABLE

★ All voltages are measured with a 10MΩ/V DC electric volt meter.
 ★ Components having special characteristics are marked ! and must be replaced with parts having specifications equal to those originally installed.
 ★ Schematic diagram is subject to change without notice.

● 電圧は、内部抵抗10MΩの電圧計で測定したものです。
 ● !印のある部品は、安全性確保部品を示しています。部品の交換が必要な場合、パーツリストに記載されている部品を使用してください。
 ● 本回路図は標準回路図です。改良のため予告なく変更することがございます。

■ SCHEMATIC DIAGRAM (MAIN 1/2) RX-V530/HTR-5540/DSP-AX430 only

RX-V530/RX-V530RDS/HTR-5550/HTR-5550RDS/DSP-AX530
RX-V430/RX-V430RDS/HTR-5540/HTR-5540RDS/DSP-AX430



RESISTOR

RESISOR	PARTS NAME	MANUFACTURE'S PARTS NO.	MANUFACTURE'S NUMBER	IPC-183 NUMBER
NO MARK	CARBON FILM RESISTOR (F-D)			
□	CARBON FILM RESISTOR (F-D)			
△	METAL OXIDE FILM RESISTOR			
□	METAL FILM RESISTOR			
□	METAL PLATE RESISTOR			
□	FINE PITCH CARBON FILM RESISTOR			
□	CONDUIT HOLED RESISTOR			
□	SEMI VARIABLE RESISTOR			
□	CHIP RESISTOR			

CAPACITOR

RESISOR	PARTS NAME	MANUFACTURE'S PARTS NO.	MANUFACTURE'S NUMBER	IPC-183 NUMBER
NO MARK	ELECTROLYTIC CAPACITOR			
□	TANTALUM CAPACITOR			
□	CERAMIC CAPACITOR			
□	GENERAL PURPOSE CAPACITOR			
□	POLYESTER FILM CAPACITOR			
□	POLYPROPYLENE FILM CAPACITOR			
□	FOIL CAPACITOR			
□	POLYPROPYLENE FILM CAPACITOR			
□	NONINDUCTIVE CERAMIC CAPACITOR			
□	POLYETHYLENE SULFIDE FILM CAPACITOR			

NOTICE (model)

□ J JAPANESE
 U U.S.A.
 C CANADIAN
 R GENERAL
 A AUSTRALIAN
 B BRITISH
 E EUROPEAN
 T CHINA
 L SINGAPORE

Chart No.	J	U.C.	R.T.K.A.	L
1 C271-274, 376 C281-322	X	X	0.01 [JMS410]	0.01 [JMS410]
2 C390-392, 395, 399	X	X	0.02 [JMS420]	0.02 [JMS420]
4 G251	X		C180A(4E) [YF8510]	C180A(4E) [YF8510]
5 G255	X		47K [YF45747]	47K [YF45747]
6 G252	X		10K [YF45710]	10K [YF45710]
7 R311-315	X	X	2.2 [YF75202]	2.2 [YF75202]
9 TE301	LCR2411 [Y447011]	LCR2411 [Y447011]	LCR2411 [Y447011]	LCR2411 [Y447011]
10 TE302	LCR2511-0000 [Y447011]	LCR2511-0000 [Y447011]	LCR2511-0000 [Y447011]	LCR2511-0000 [Y447011]
11				
12 D254	MTZ12C [Y434300]	MTZ12C [Y434300]	MTZ12C [Y434300]	MTZ12C [Y434300]
13 D253	X		MTZ16.6B [Y434300]	MTZ16.6B [Y434300]
21 R371, 372	X	X	4.7 [YF45471]	4.7 [YF45471]
23 R375	X	X	2.2 [YF45222]	2.2 [YF45222]

□ NOT USED
 ○ USED / APPLICABLE

* All voltages are measured with a 10MΩ/V DC electric volt meter.
 * Components having special characteristics are marked with a triangle and must be replaced with parts having specifications equal to those originally installed.
 * Schematic diagram is subject to change without notice.

● 電圧は、内部抵抗10MΩの電圧計で測定したものです。
 ● 印のある部品は、安全確保部品を示しています。部品の交換が必要な場合、パーツリストに記載されている部品を使用してください。
 ● 本回路図は標準回路図です。改良のため予告なく変更することがございます。

■ SCHEMATIC DIAGRAM / (MAIN 2/2)

RESISTOR

REMARKS	PARTS NAME
NO MARK	CARBON FILM RESISTOR (P=5)
☒	CARBON FILM RESISTOR (P=10)
△	METAL OXIDE FILM RESISTOR
⊠	METAL FILM RESISTOR
⊡	METAL PLATE RESISTOR
⊞	FIRE PROOF CARBON FILM RESISTOR
□	CEMENT MOLDED RESISTOR
⊕	SEMI VARIABLE RESISTOR
■	CHIP RESISTOR

CAPACITOR

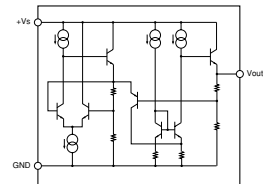
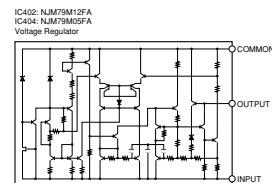
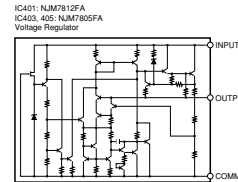
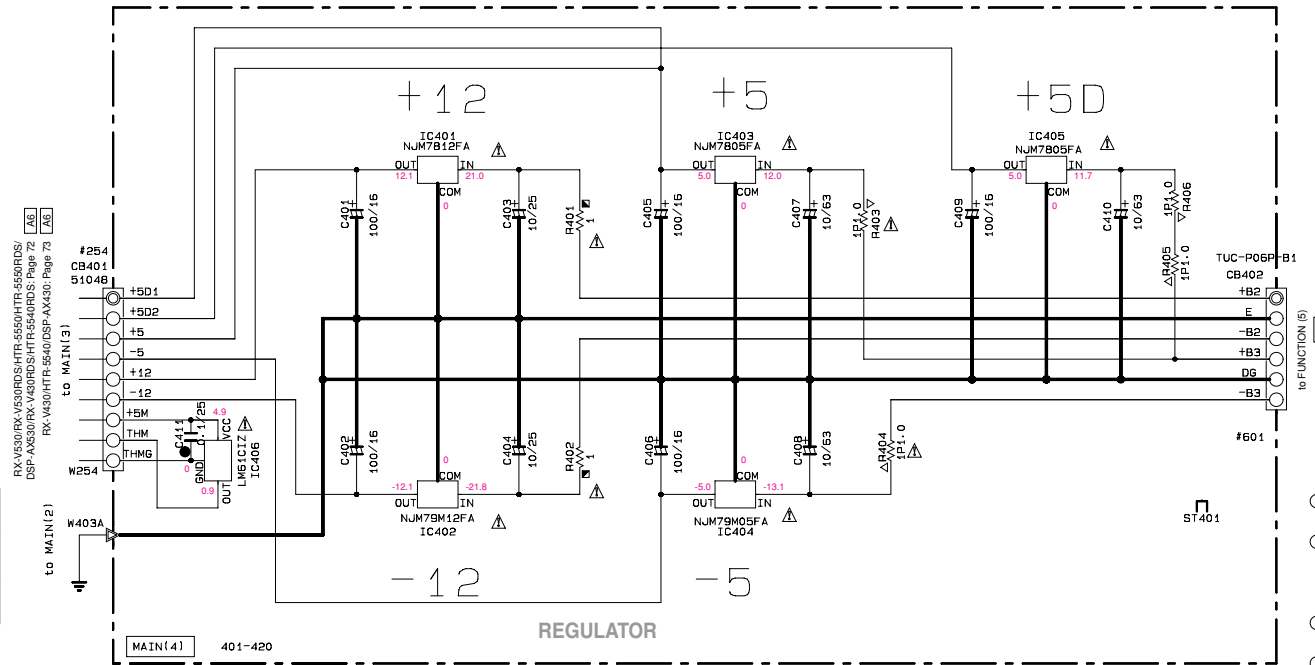
REMARKS	PARTS NAME
NO MARK	ELECTROLYTIC CAPACITOR
⊗	TANTALUM CAPACITOR
NO MARK	CERAMIC CAPACITOR
●	CERAMIC TUBULAR CAPACITOR
⊙	POLYESTER FILM CAPACITOR
○	POLYSTYRENE FILM CAPACITOR
⊖	MICA CAPACITOR
⊕	POLYPROPYLENE FILM CAPACITOR
⊗	SEMICONDUCTIVE CERAMIC CAPACITOR

NOTICE (model)

- (J)..... JAPANESE
- (U)..... U. S. A
- (C)..... CANADIAN
- (R)..... GENERAL
- (A)..... AUSTRALIAN
- (B)..... BRITISH
- (G)..... EUROPEAN
- (T)..... CHINA
- (L)..... SINGAPORE

6	Circuit No.	J	U. C. R. T. K
21	J3B1, 3B2	D	X
22	SW3B1	X	SL13B-022AMCS [V410420]

x: NOT USED
 o: USED/APPLICABLE



RX-V530/RX-V530RDS/HTR-5550/HTR-5550RDS/
 DSP-AX530/RX-V430RDS/HTR-5540RDS: Page 72 to MAIN (8)
 RX-V430/HTR-5540/DSP-AX430: Page 73 to MAIN (10)

RX-V530/RX-V530RDS/HTR-5550/HTR-5550RDS/
 DSP-AX530/RX-V430RDS/HTR-5540RDS: Page 72
 RX-V430/HTR-5540/DSP-AX430: Page 73

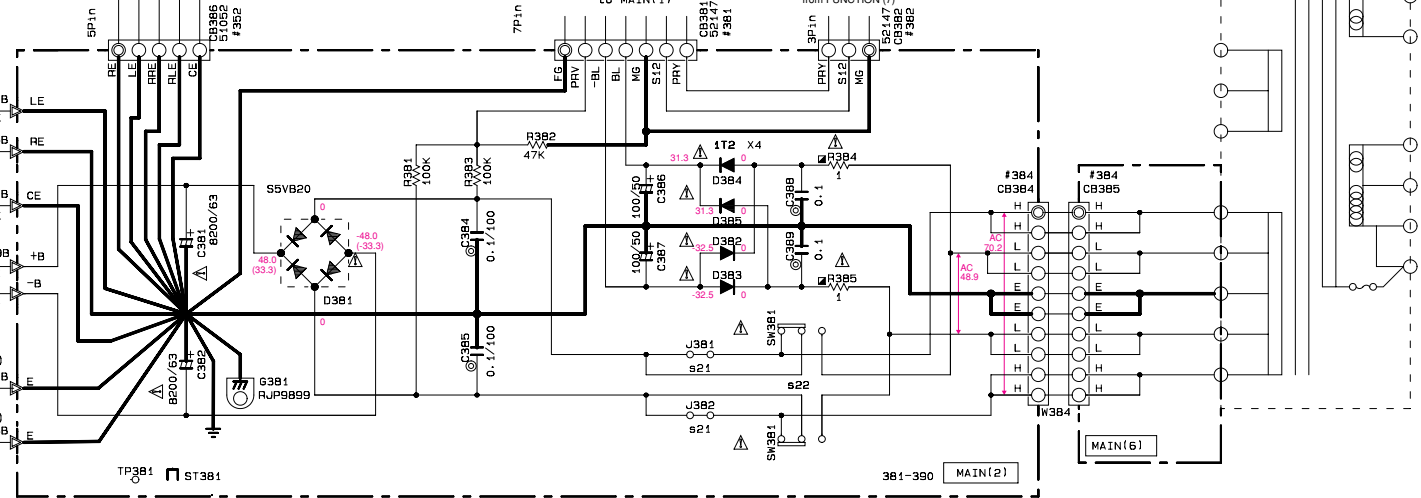
RX-V530/RX-V530RDS/HTR-5550/HTR-5550RDS/
 DSP-AX530/RX-V430RDS/HTR-5540RDS only: Page 72

RX-V530/RX-V530RDS/HTR-5550/HTR-5550RDS/
 DSP-AX530/RX-V430RDS/HTR-5540RDS only: Page 72

RX-V530/RX-V530RDS/HTR-5550/HTR-5550RDS/
 DSP-AX530/RX-V430RDS/HTR-5540RDS: Page 72
 RX-V430/HTR-5540/DSP-AX430: Page 73

RX-V530/RX-V530RDS/HTR-5550/HTR-5550RDS/
 DSP-AX530/RX-V430RDS/HTR-5540RDS: Page 72
 RX-V430/HTR-5540/DSP-AX430: Page 73

RX-V530/RX-V530RDS/HTR-5550/HTR-5550RDS/
 DSP-AX530/RX-V430RDS/HTR-5540RDS: Page 72
 RX-V430/HTR-5540/DSP-AX430: Page 73



★ All voltages are measured with a 10MΩ/V DC electric volt meter.
 ★ Components having special characteristics are marked △, and must be replaced with parts having specifications equal to those originally installed.
 ★ Schematic diagram is subject to change without notice.

● 電圧は、内部抵抗10MΩの電圧計で測定したものです。
 ● △印のある部品は、安全性確保部品を示しています。部品の交換が必要な場合、パーツリストに記載されている部品を使用してください。
 ● 本回路図は標準回路図です。改良のため予告なく変更することがございます。